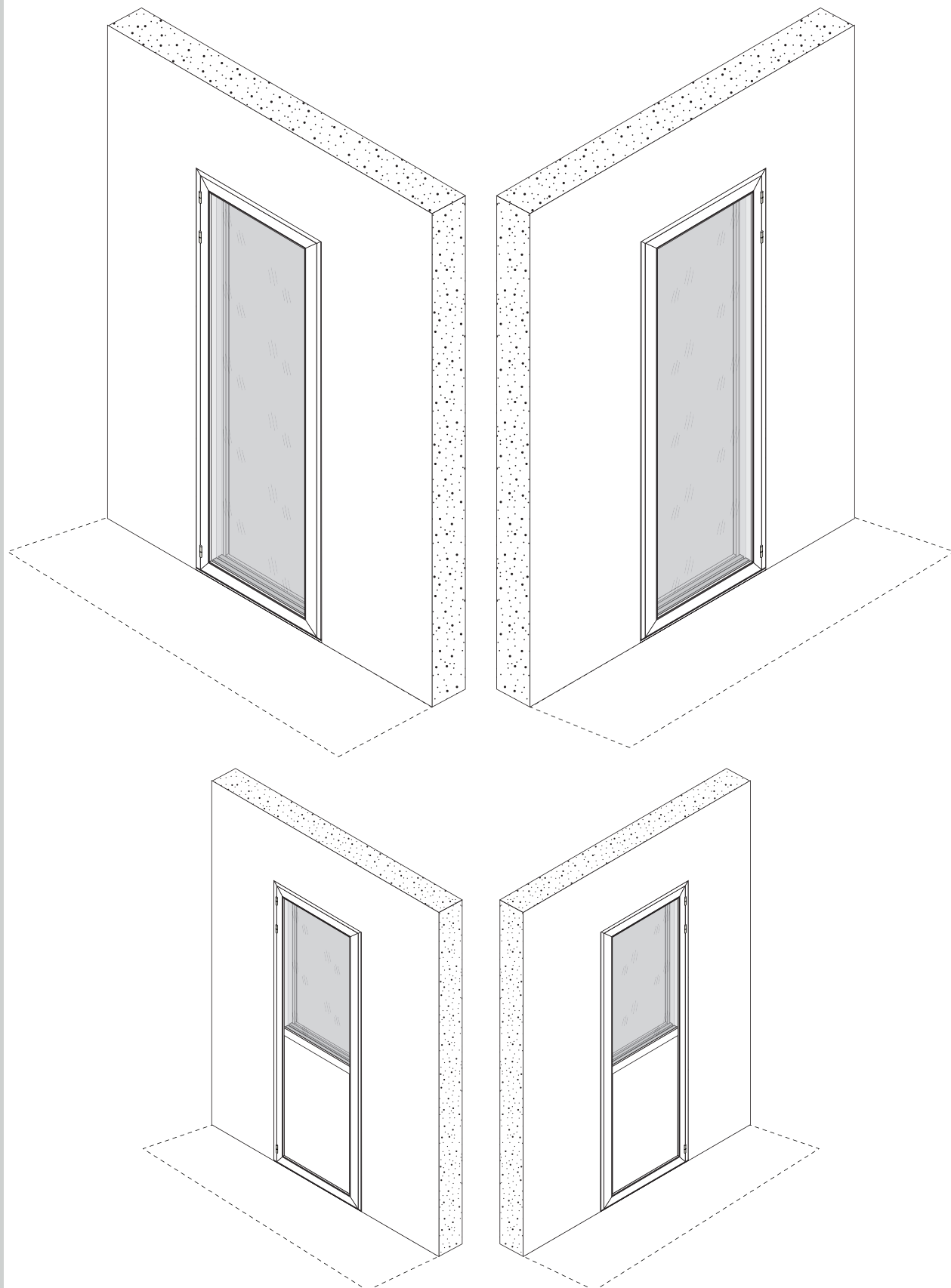


- Altandörr



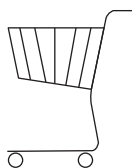
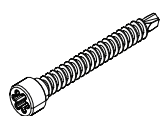
L1

10

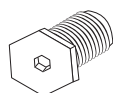


A

WW1 8 x

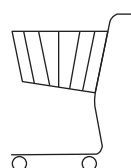
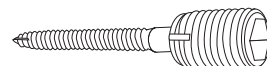


WW2 8 x

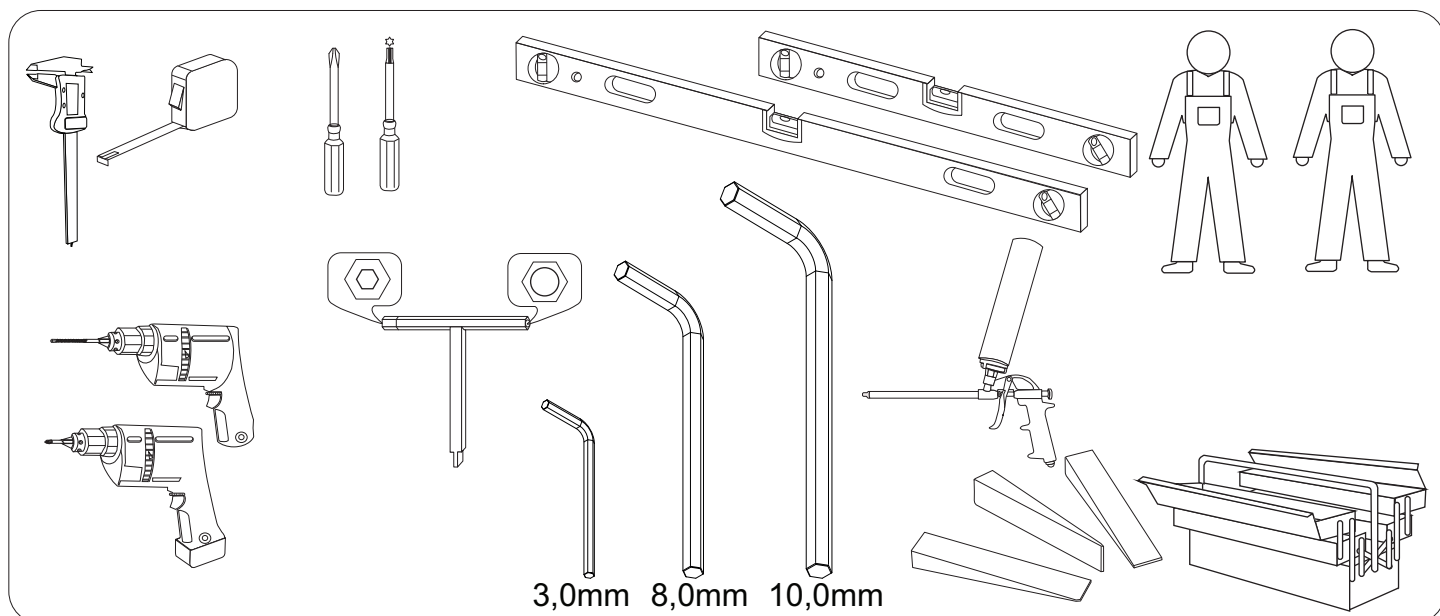
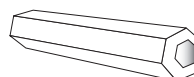


B

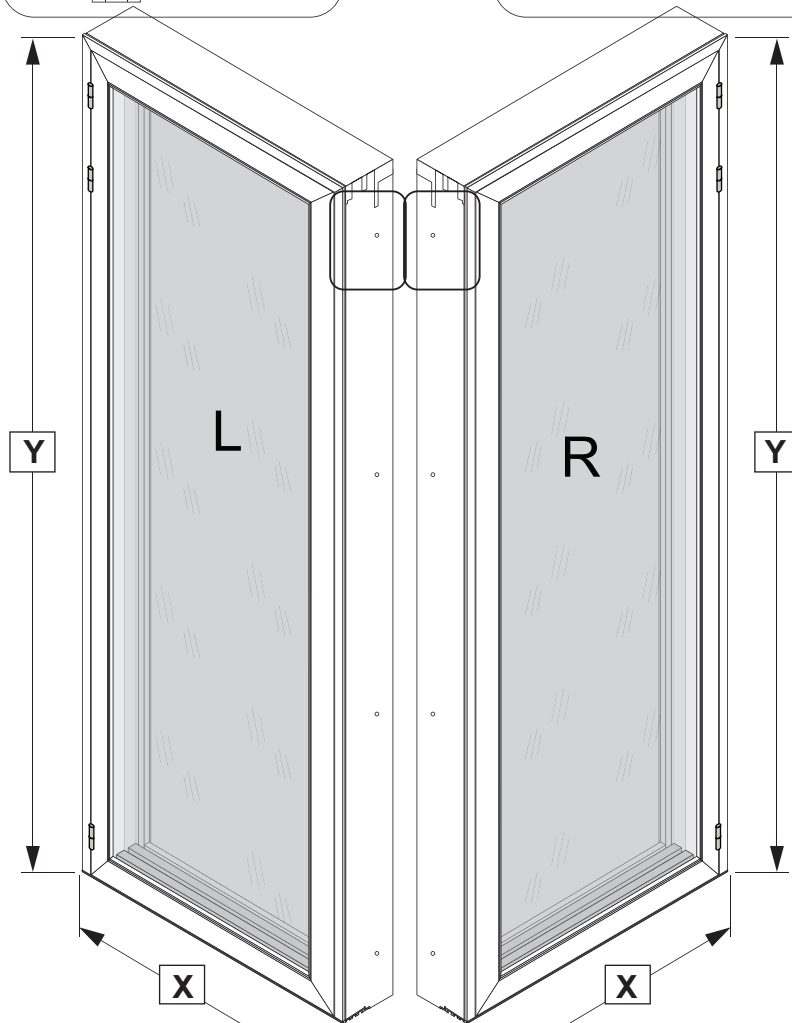
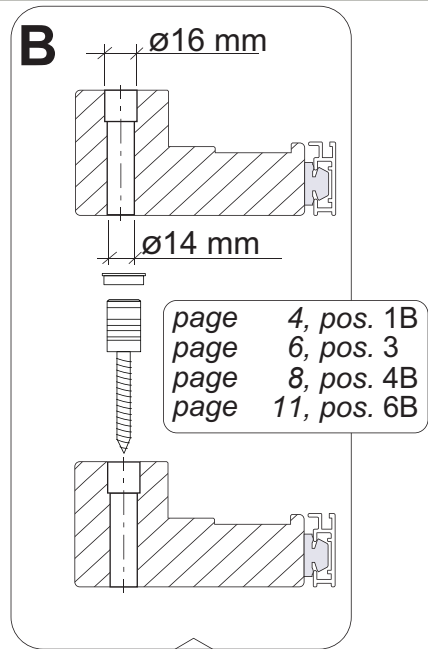
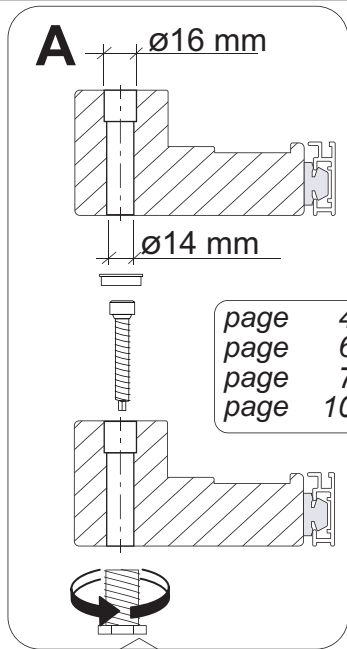
ZZ1 8 x



Z 1

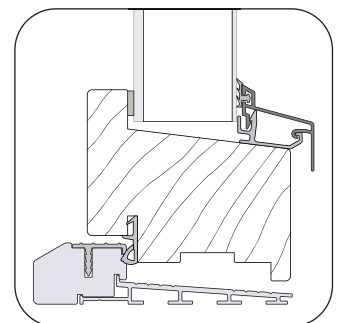
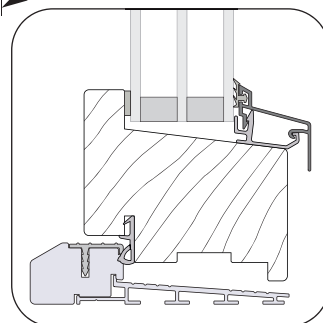
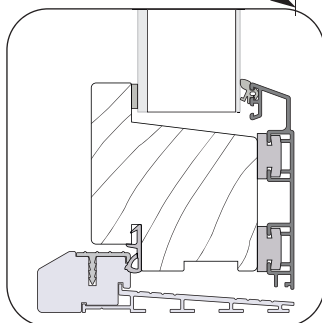
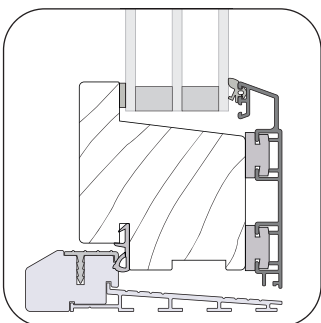


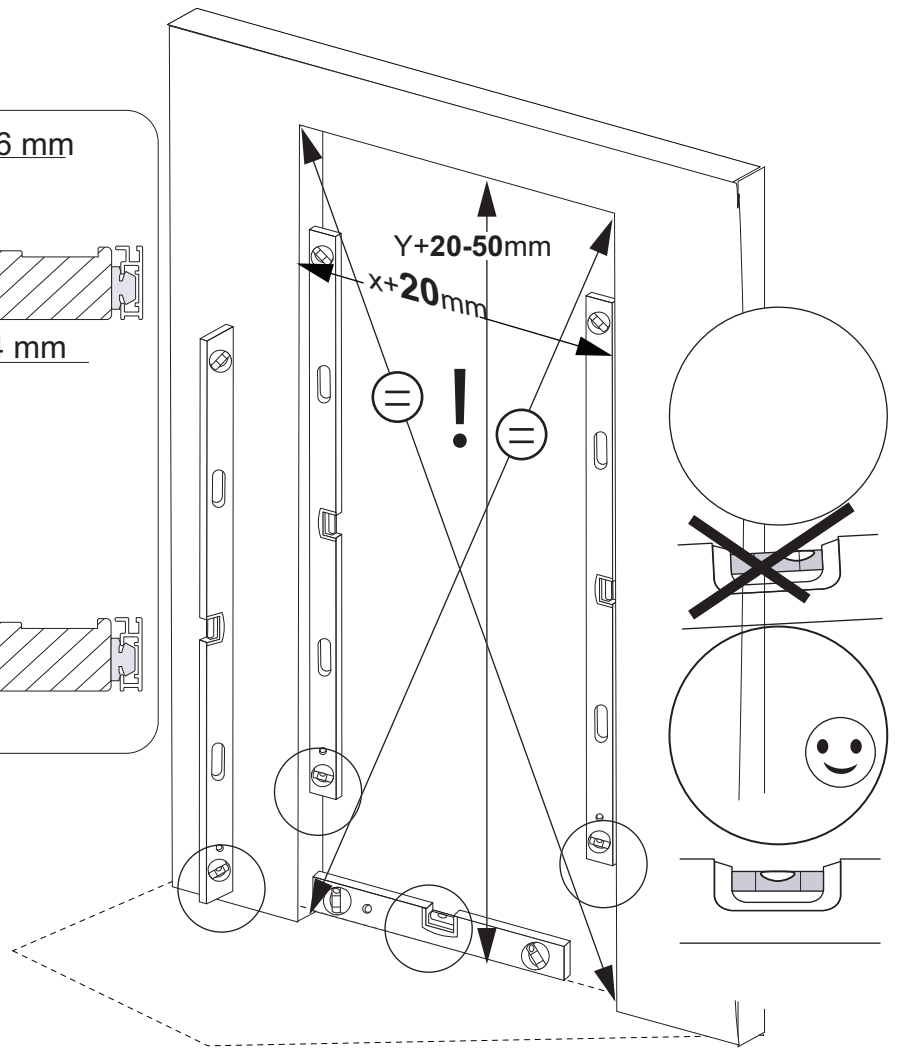
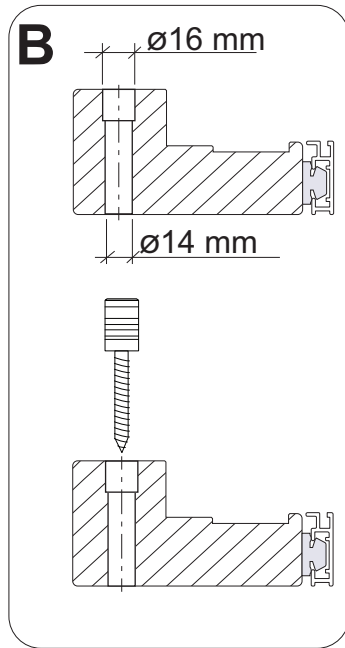
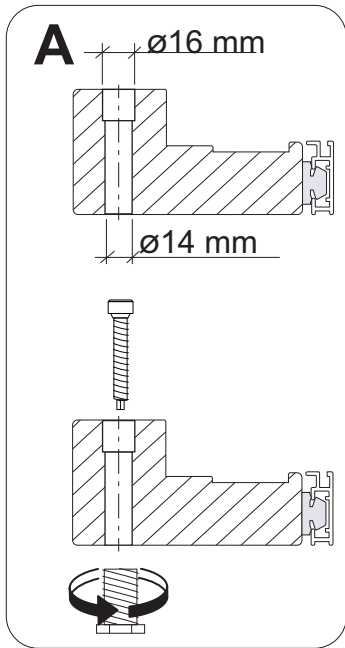
3,0mm 8,0mm 10,0mm

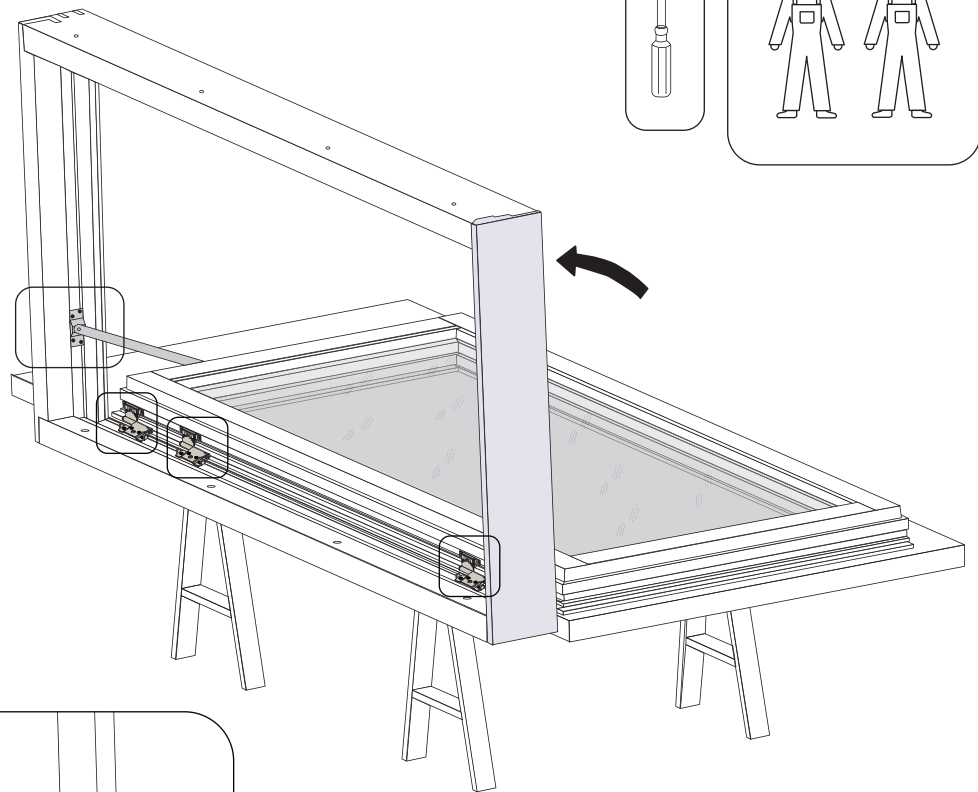
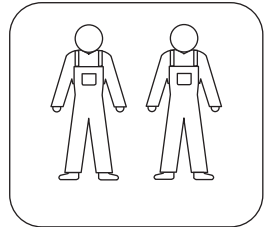
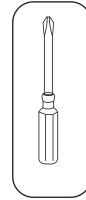


VHDSAL

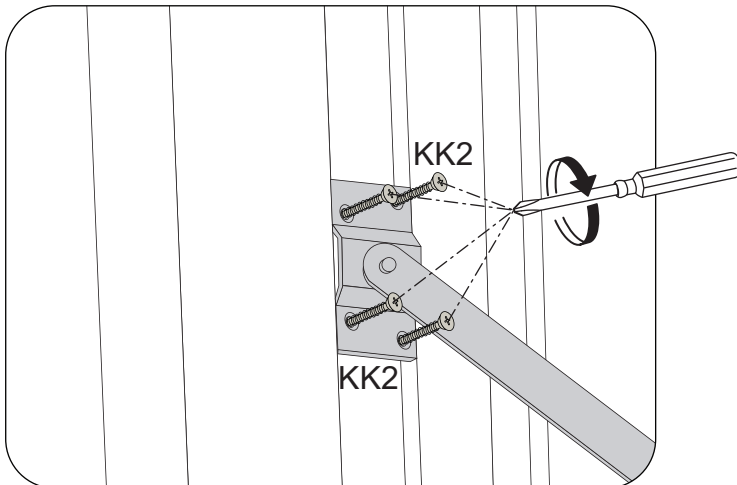
VHDE



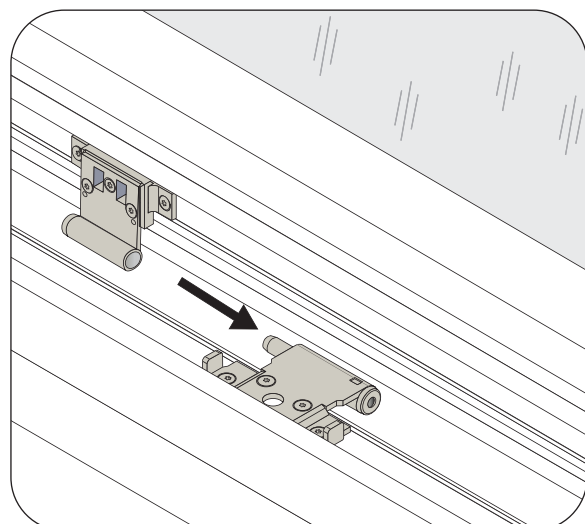


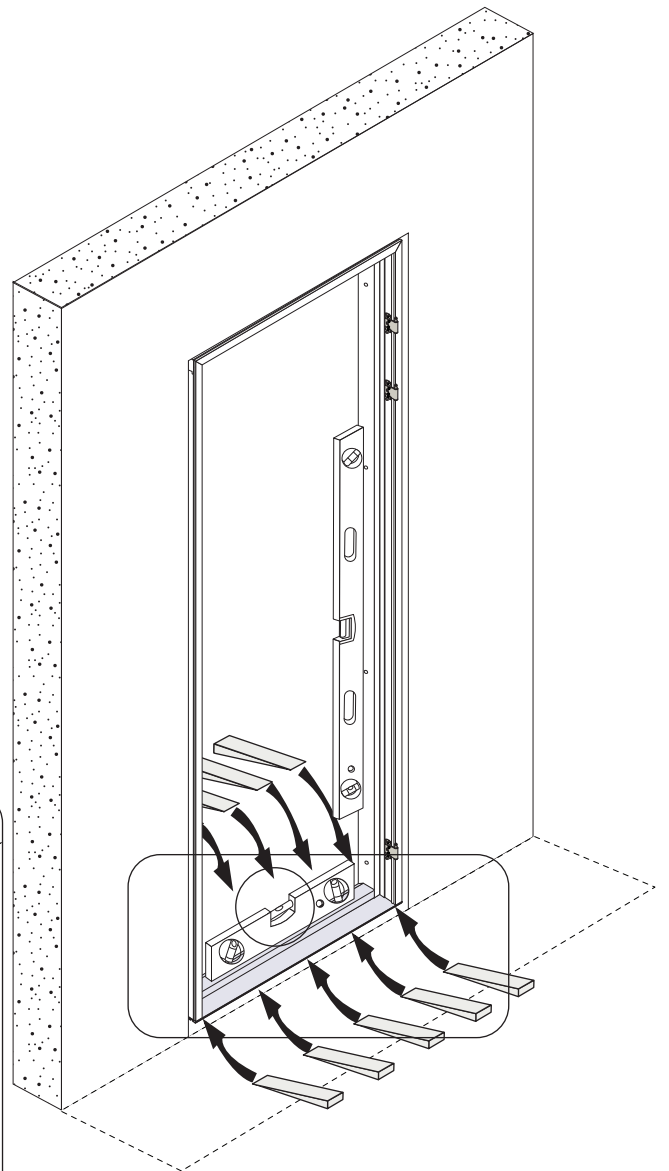
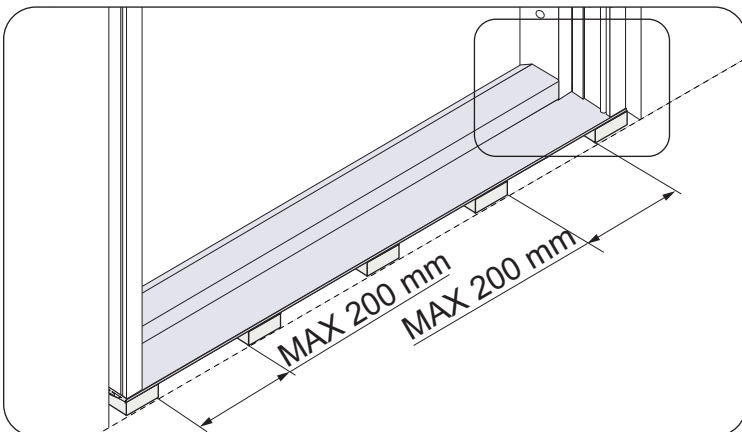
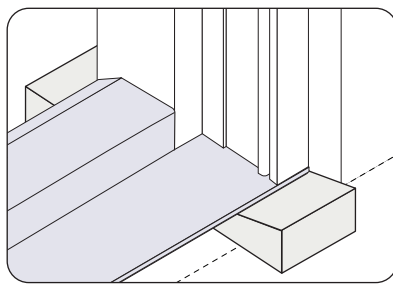
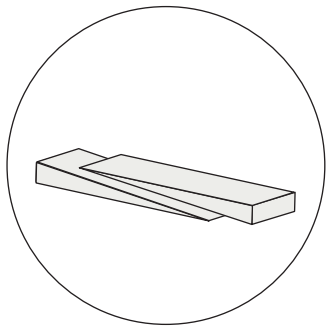
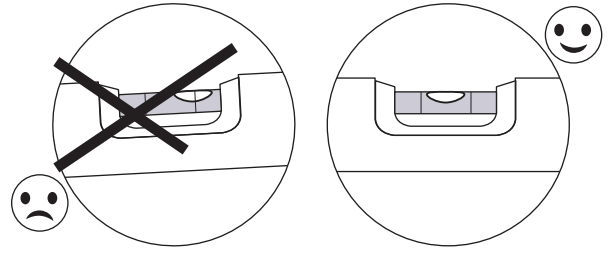
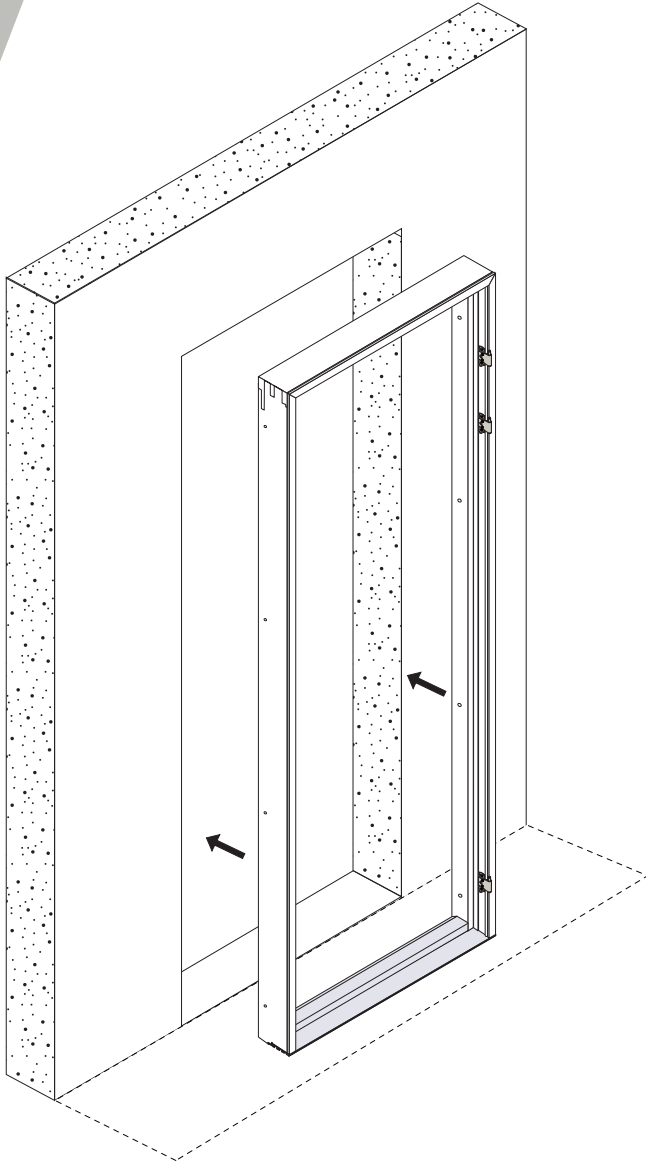


1.

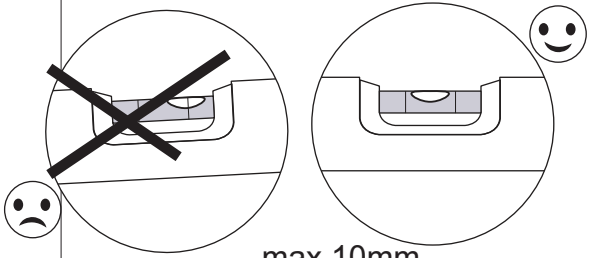
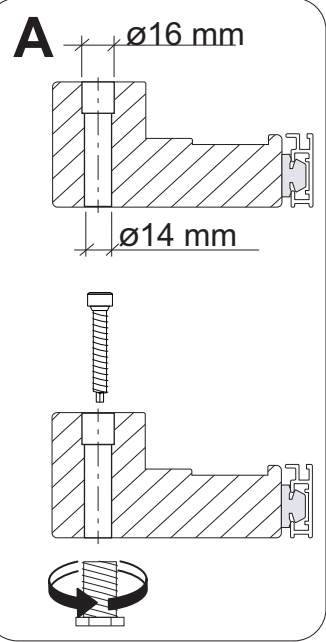


2.



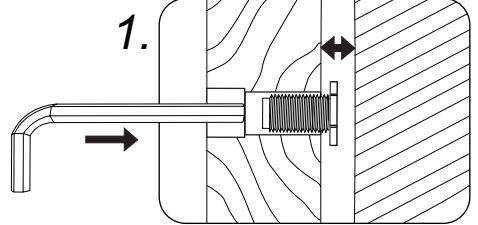


4A

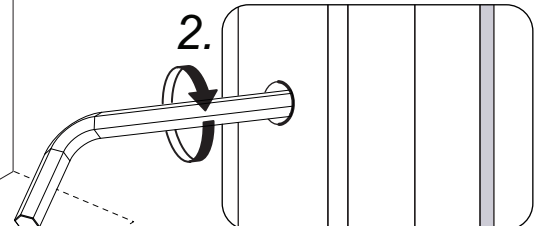


max 10mm

1.



2.



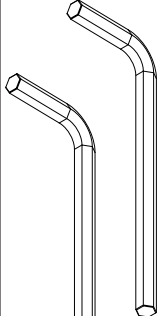
WW2

WW2

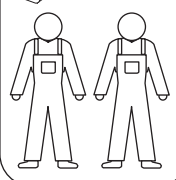
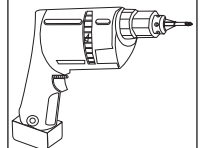
WW2

WW2

8,0mm



10,0mm



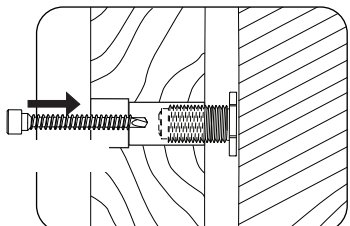
WW1

WW1

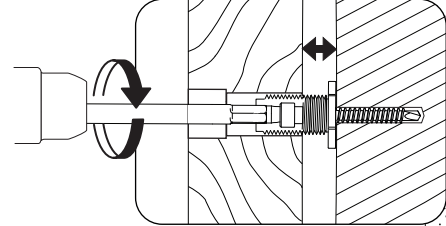
WW1

WW1

1.



2.

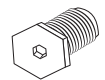
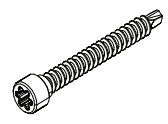


WW1

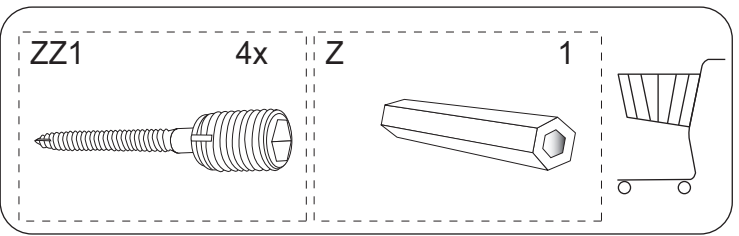
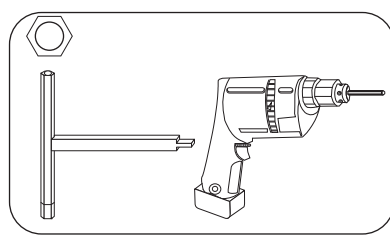
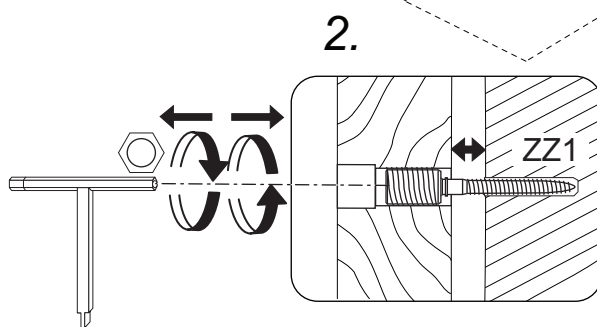
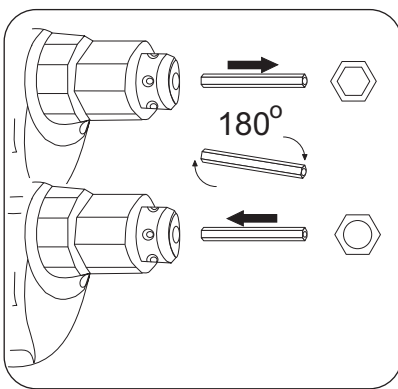
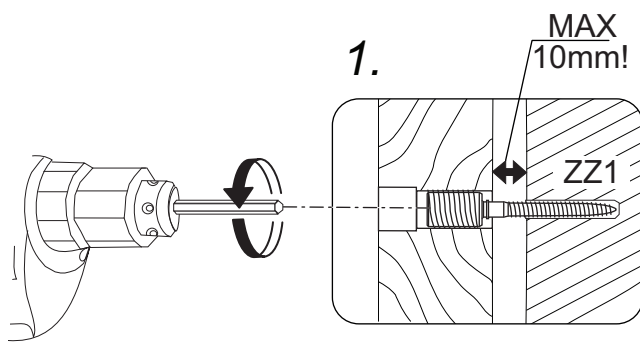
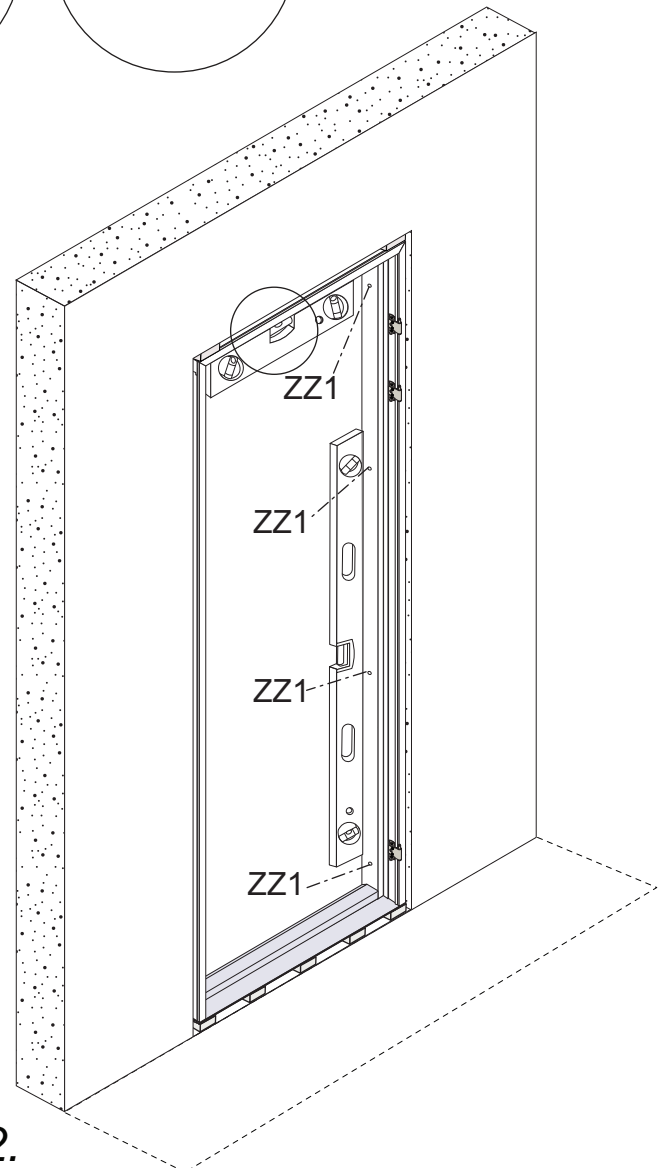
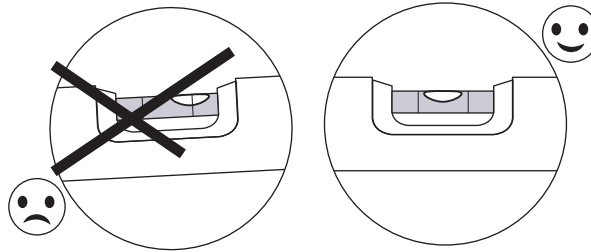
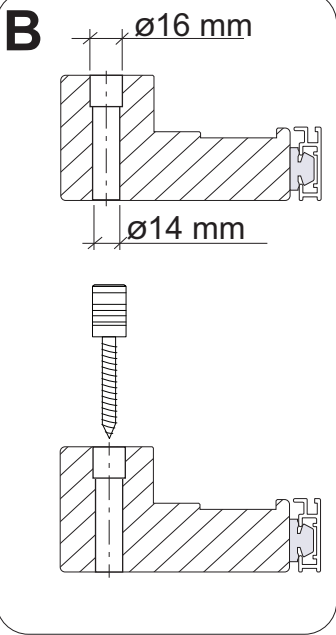
4 x

WW2

8 x

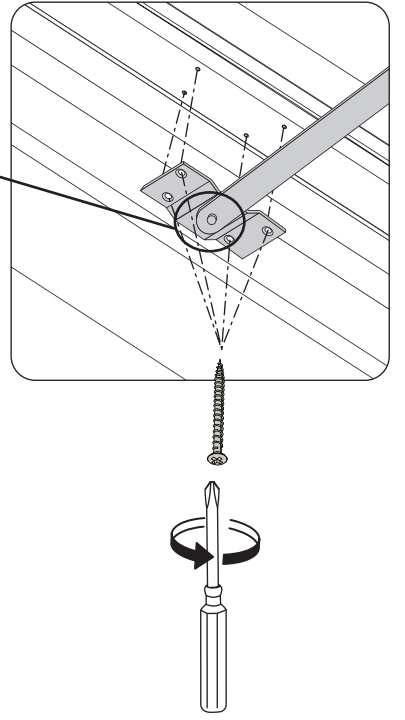


4B

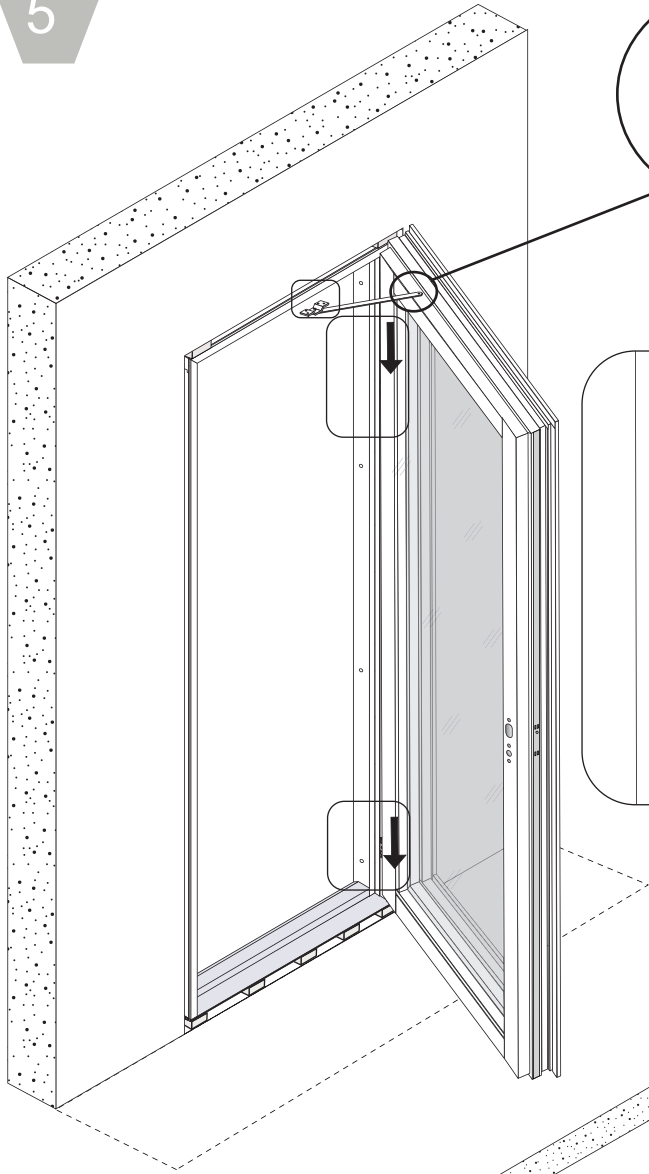
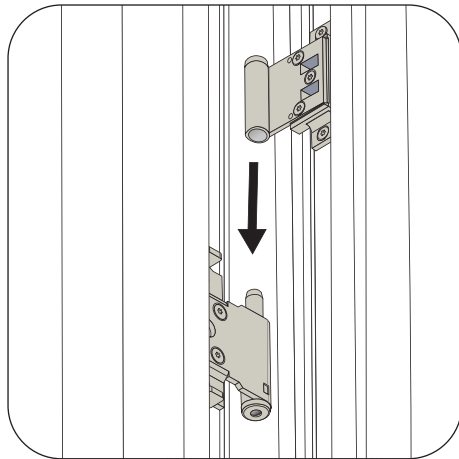




2.

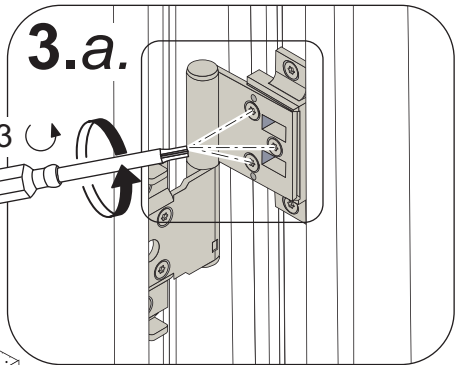


1.

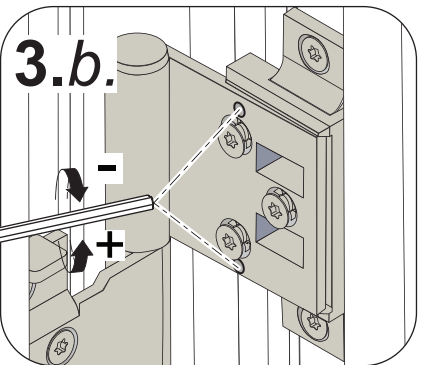


3.a.

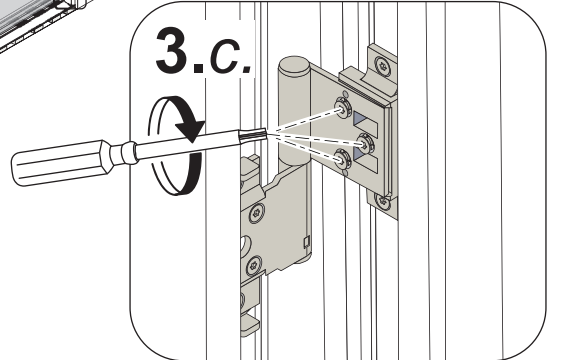
MAX 3



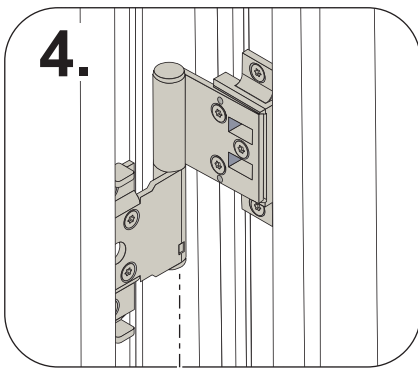
3.b.



3.c.



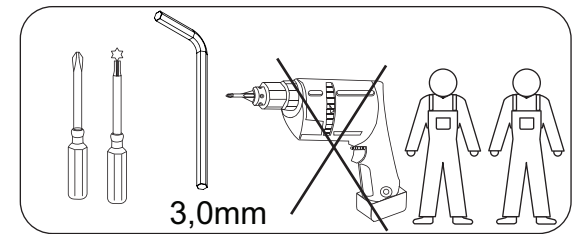
4.



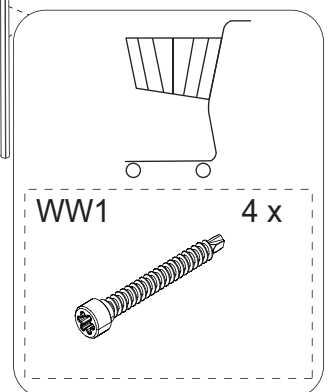
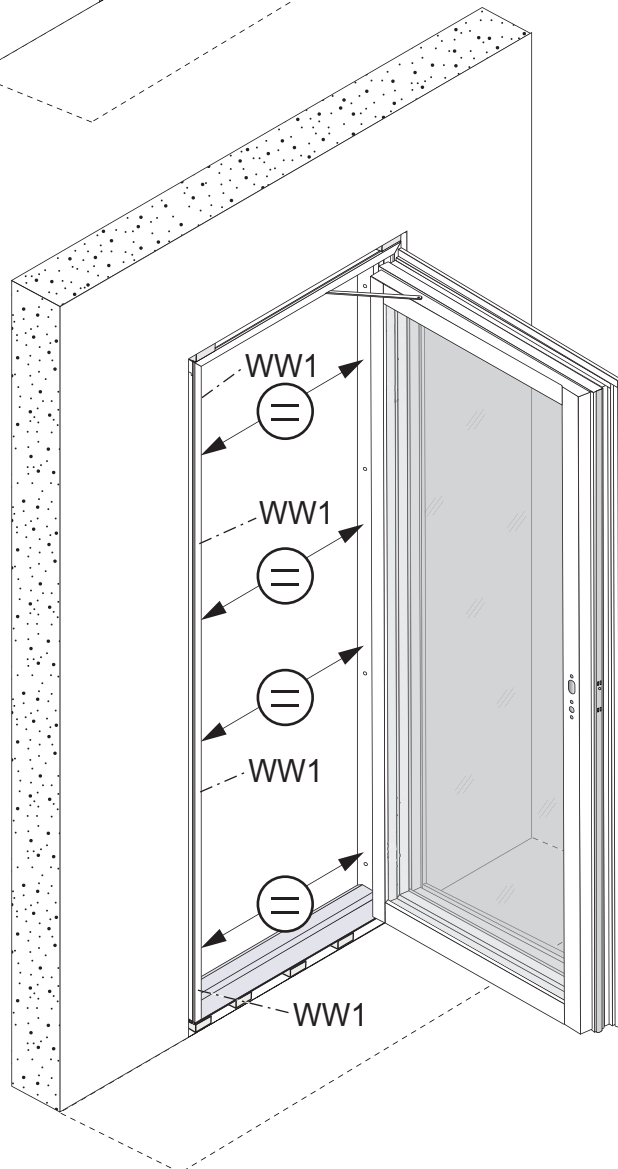
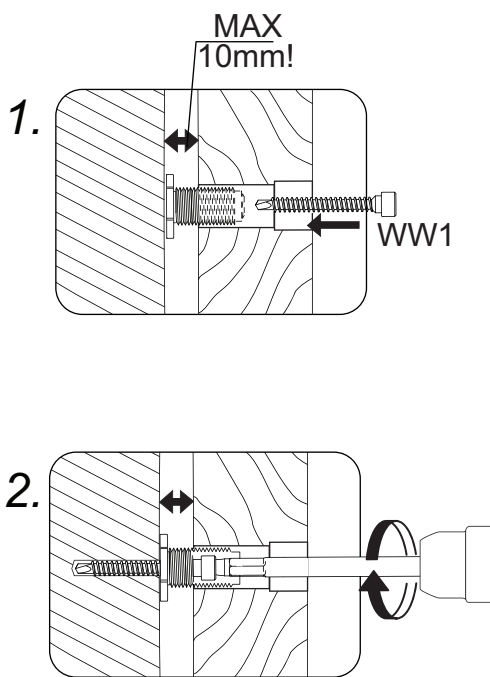
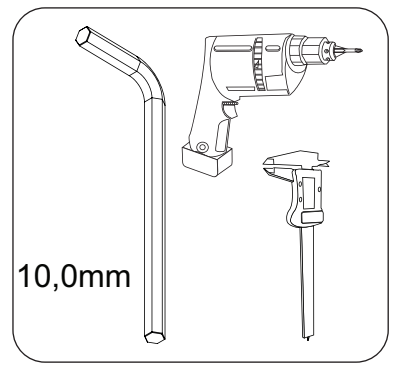
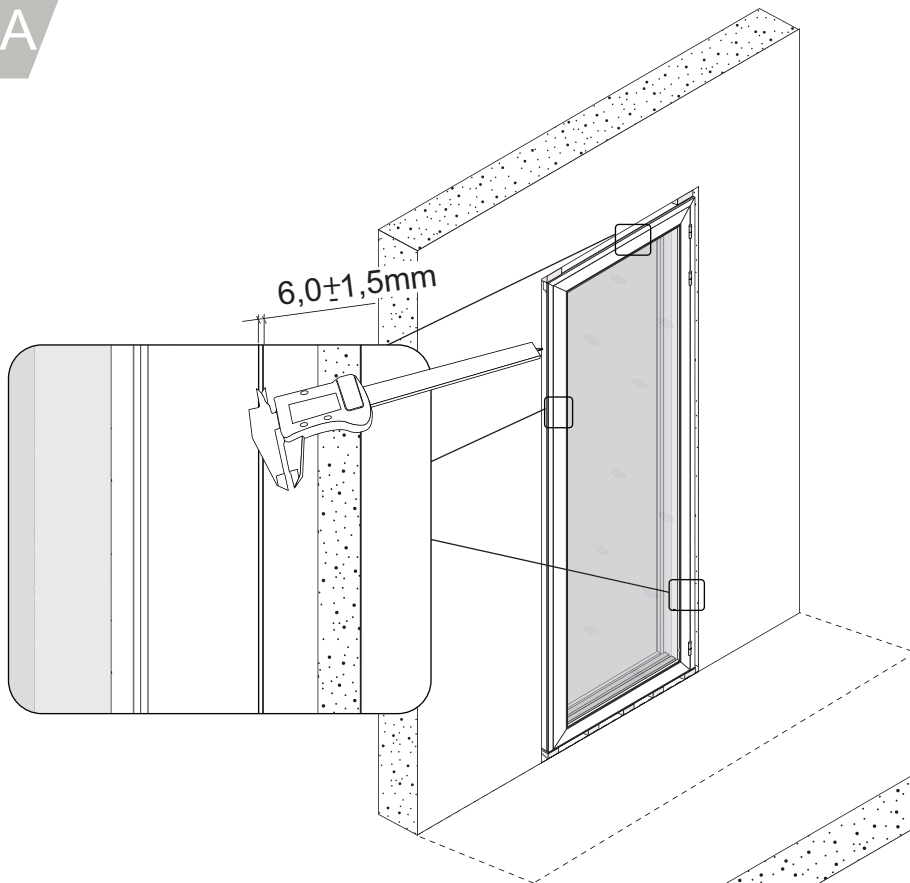
+ 2,0mm



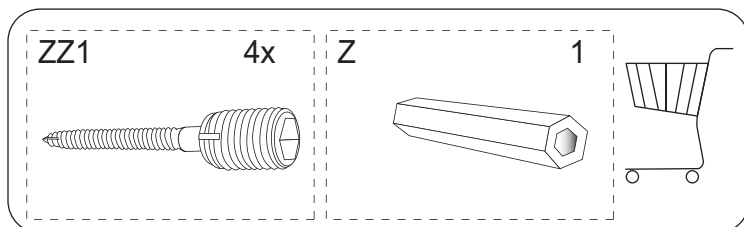
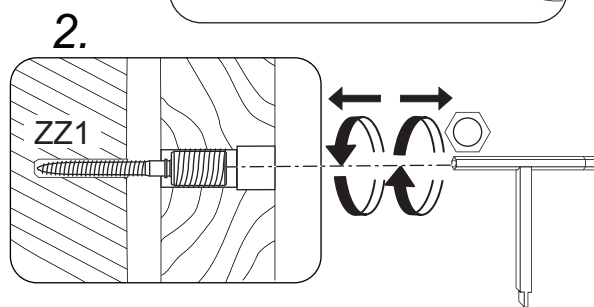
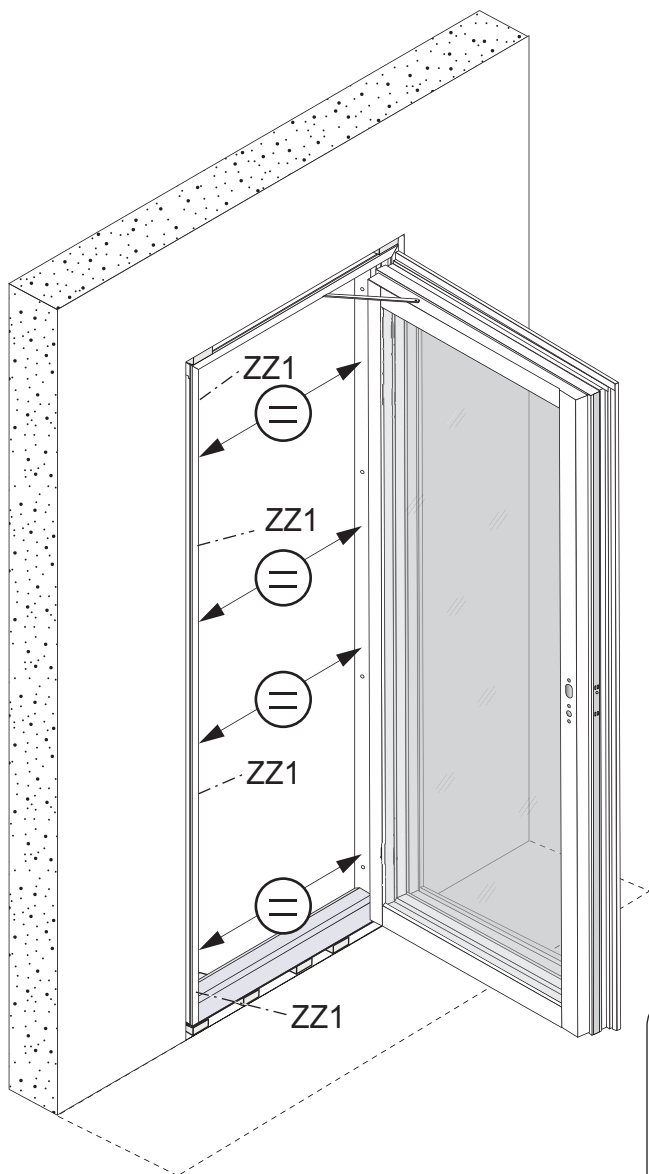
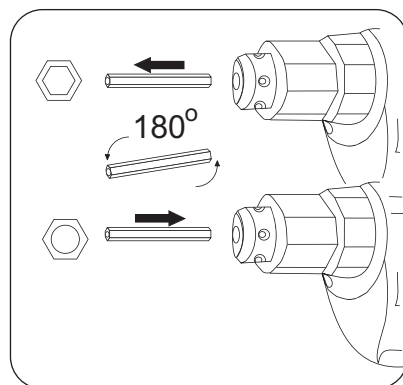
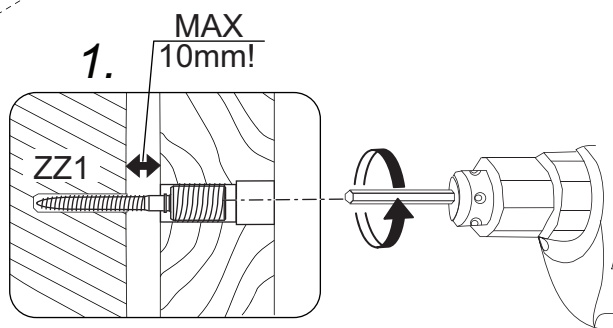
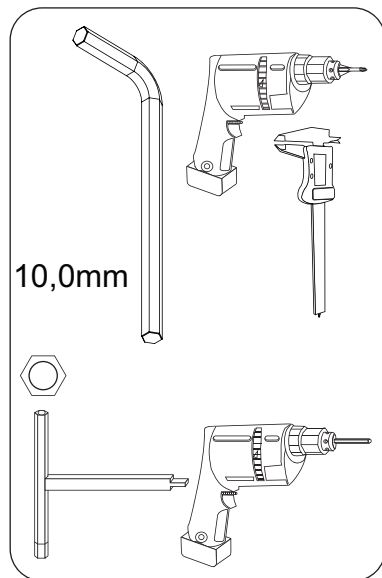
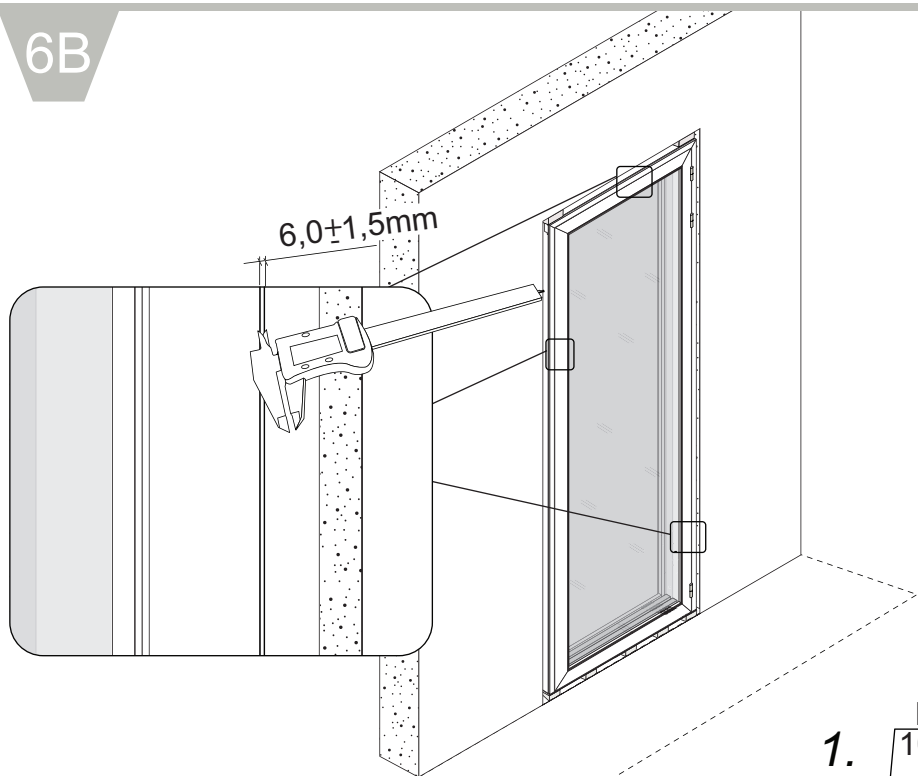
- 2,0mm



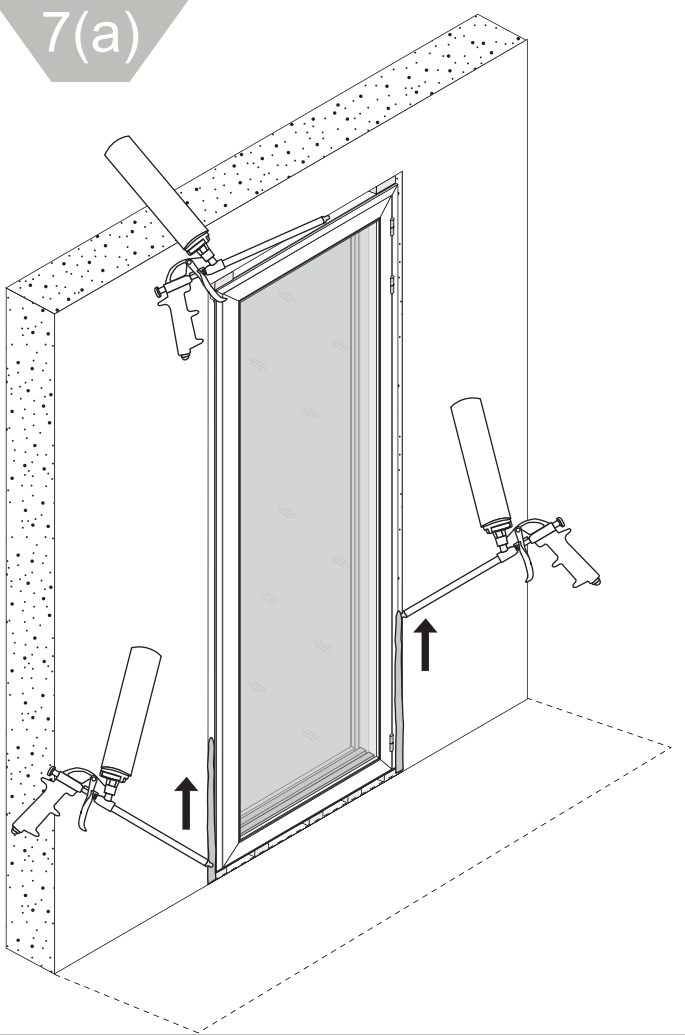
3,0mm



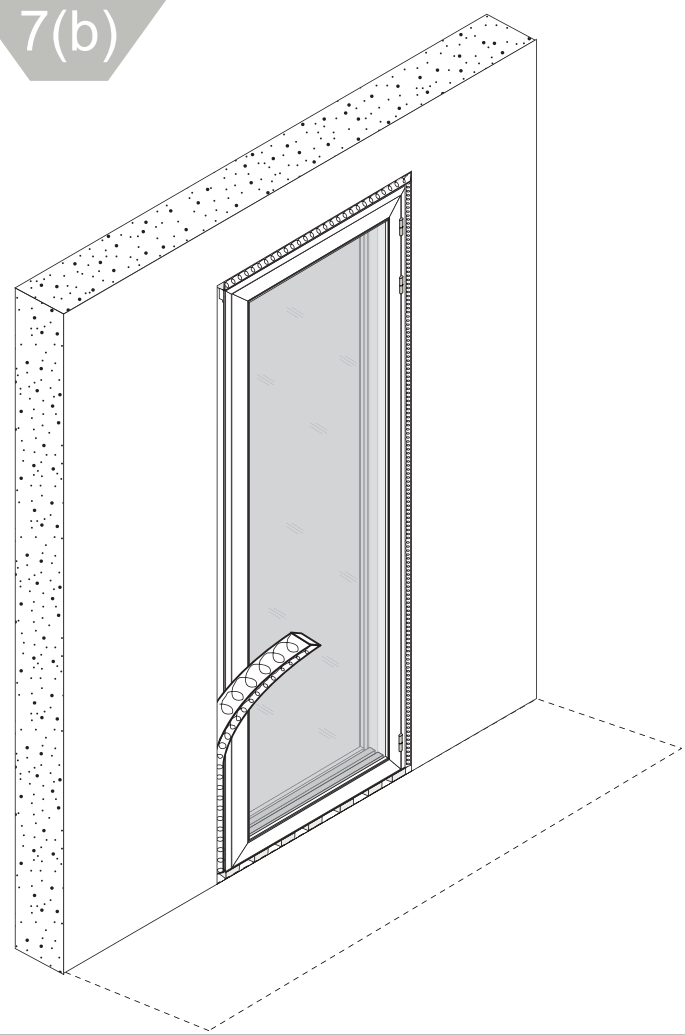
6B



7(a)



7(b)



8

